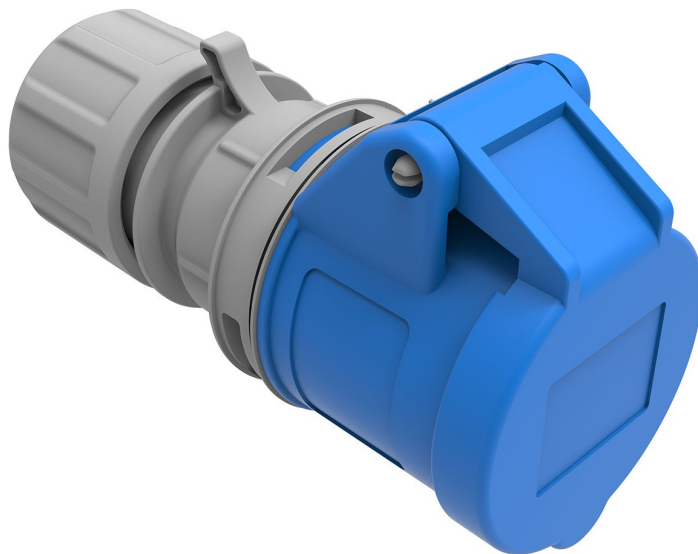
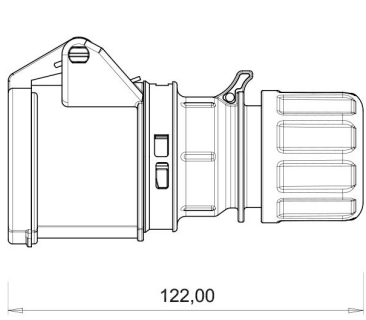


Connector Socket

Product Code : BC1-1403-2312
Barcode : 8698523920275
IP Class : IP44
Volt : 220V-250V
Hertz : 50Hz - 60Hz
Pole : 2P+E
Body Material : Polyamide 6
Conductor Material : MS 58
Gram : 152,1
Box : 10
Package : 180





Ø8,0 - Ø16,0

This text indicates a diameter range for a specific part of the component, from 8.0 to 16.0 units.

